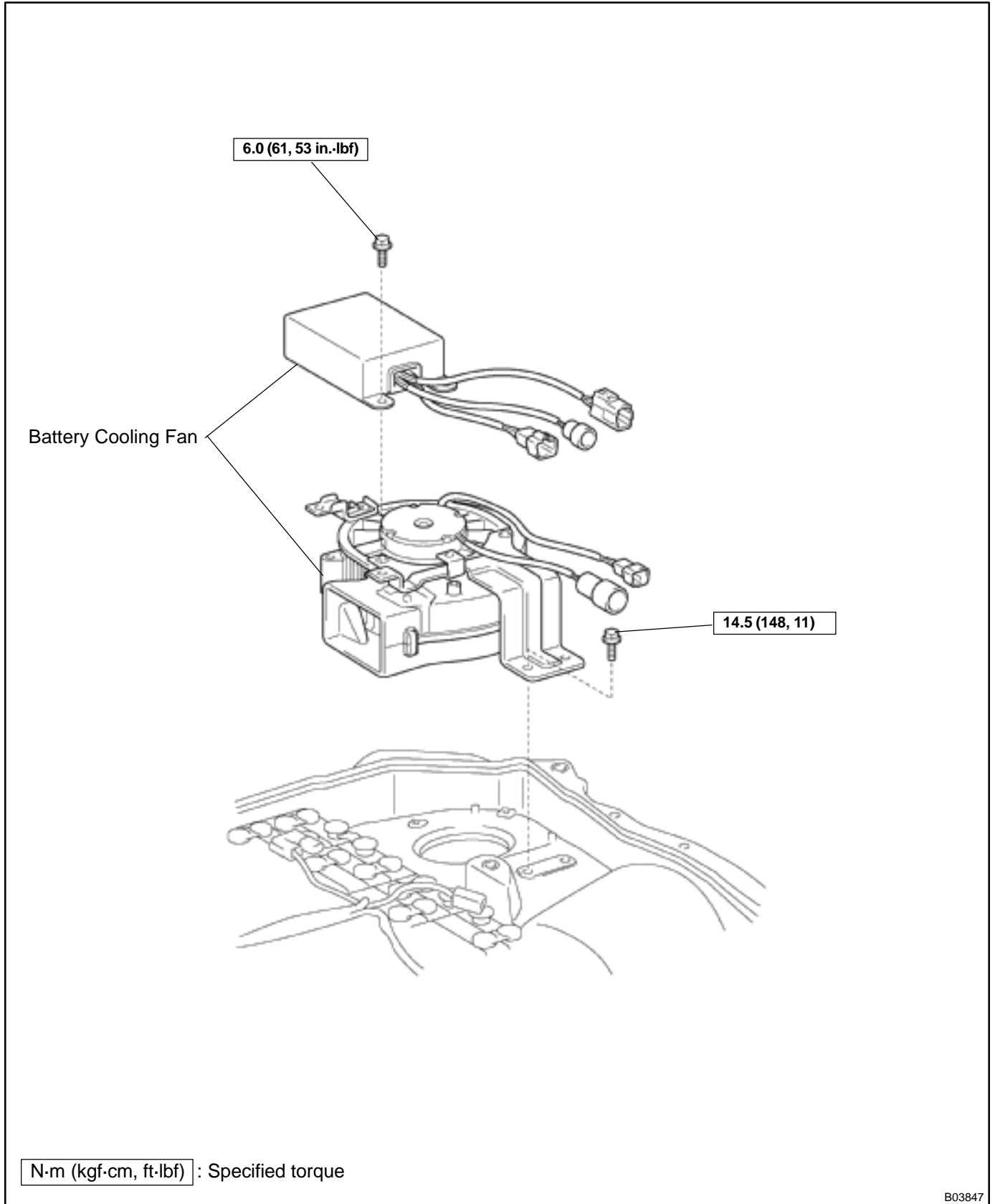


BATTERY COOLING FAN COMPONENTS

BA006-03



N·m (kgf·cm, ft·lbf) : Specified torque

B03847