

## REMOVAL

### 1. REMOVE PCU COVER

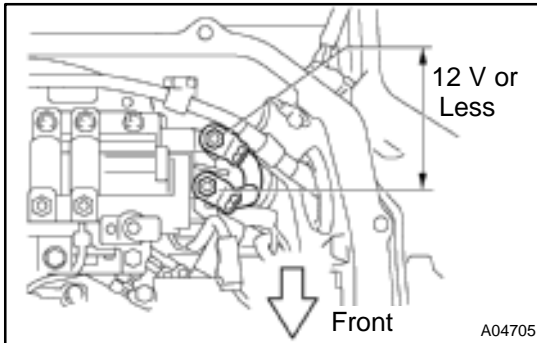
Torque: 6.0 N·m (61 kgf·cm, 53 in.-lbf)

#### NOTICE:

Using a clean shop rag, cover the circuit boards. Don't touch the circuit boards.

#### HINT:

Check that the gasket is not coming out or coming off.

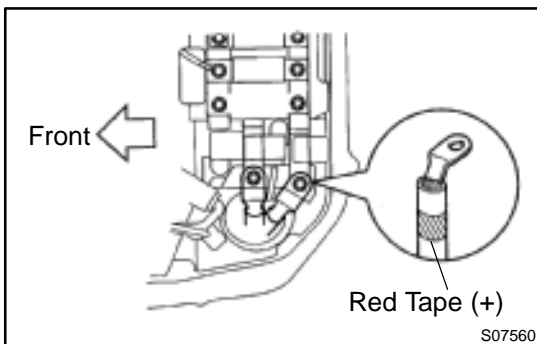


### 2. INSPECT VOLTAGE

Wearing insulated gloves, measure the voltage between traction batteries positive (+) and negative (-). Check that the voltage is 12 V or less.

#### NOTICE:

Check the voltage without fail before disconnecting the cable.



### 3. DISCONNECT TRACTION BATTERIES CABLE

(a) Using insulated tools, disconnect the traction batteries cable.

Torque: 14.5 N·m (148 kgf·cm, 11 ft·lbf)

(b) Using vinyl tape, insulate the terminals.

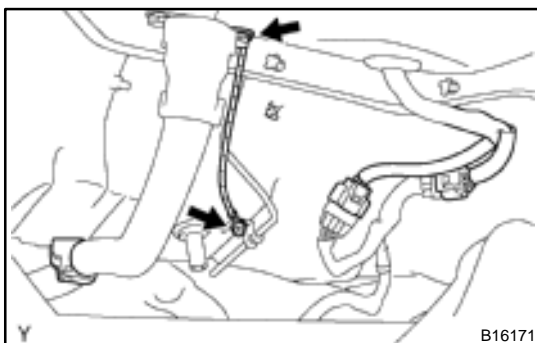
(c) Hold the lock arm when pulling out the coupler.

#### NOTICE:

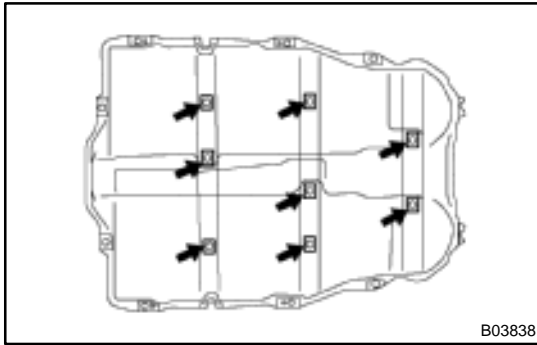
At the time of installation, please refer to the following items.

As shown in the illustration, the cable end marked with the red tape (+) should be connected to the terminal closer to the rear side of vehicle.

### 4. REMOVE TRACTION BATTERIES CABLE



### 5. DISCONNECT TRACTION BATTERY TRAY CONNECTORS AND GROUND WIRE

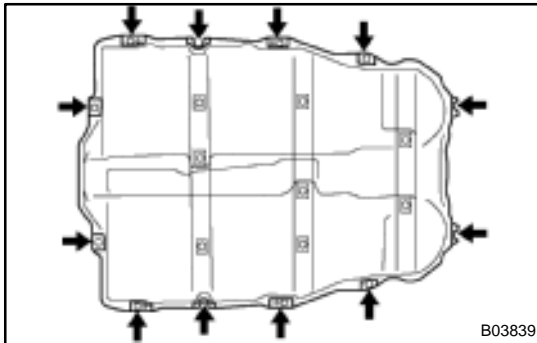


## 6. REMOVE TRACTION BATTERIES

- (a) Remove the 8 bolts from the center of the traction batteries as shown in the illustration.

**Torque: 58 N·m (590 kgf·cm, 43 ft·lbf)**

- (b) Using an engine lifter without attachment, support the traction batteries.



- (c) Remove the 12 bolts around the outside of the traction batteries.

**Torque: 58 N·m (590 kgf·cm, 43 ft·lbf)**

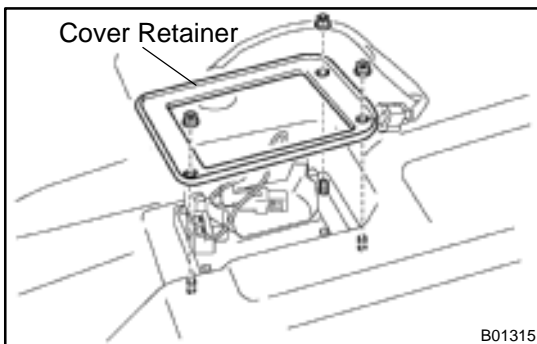
### HINT:

Check that all the installation bolts are removed from the traction batteries.

- (d) Slowly lower the traction batteries.

## 7. REMOVE BATTERY COVER

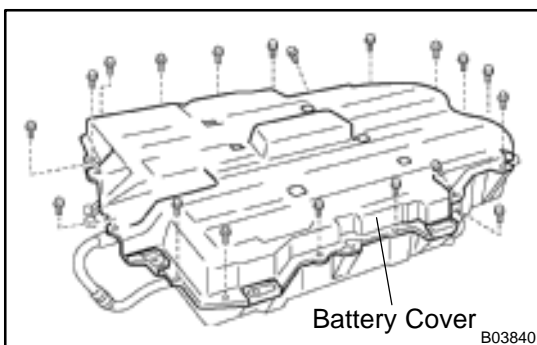
- (a) Disconnect the interlock switch connector.



- (b) Remove the 4 nuts and cover retainer.

- (c) Remove the screw and interlock switch connector bracket.

**Torque: 5.4 N·m (55 kgf·cm, 48 in.-lbf)**



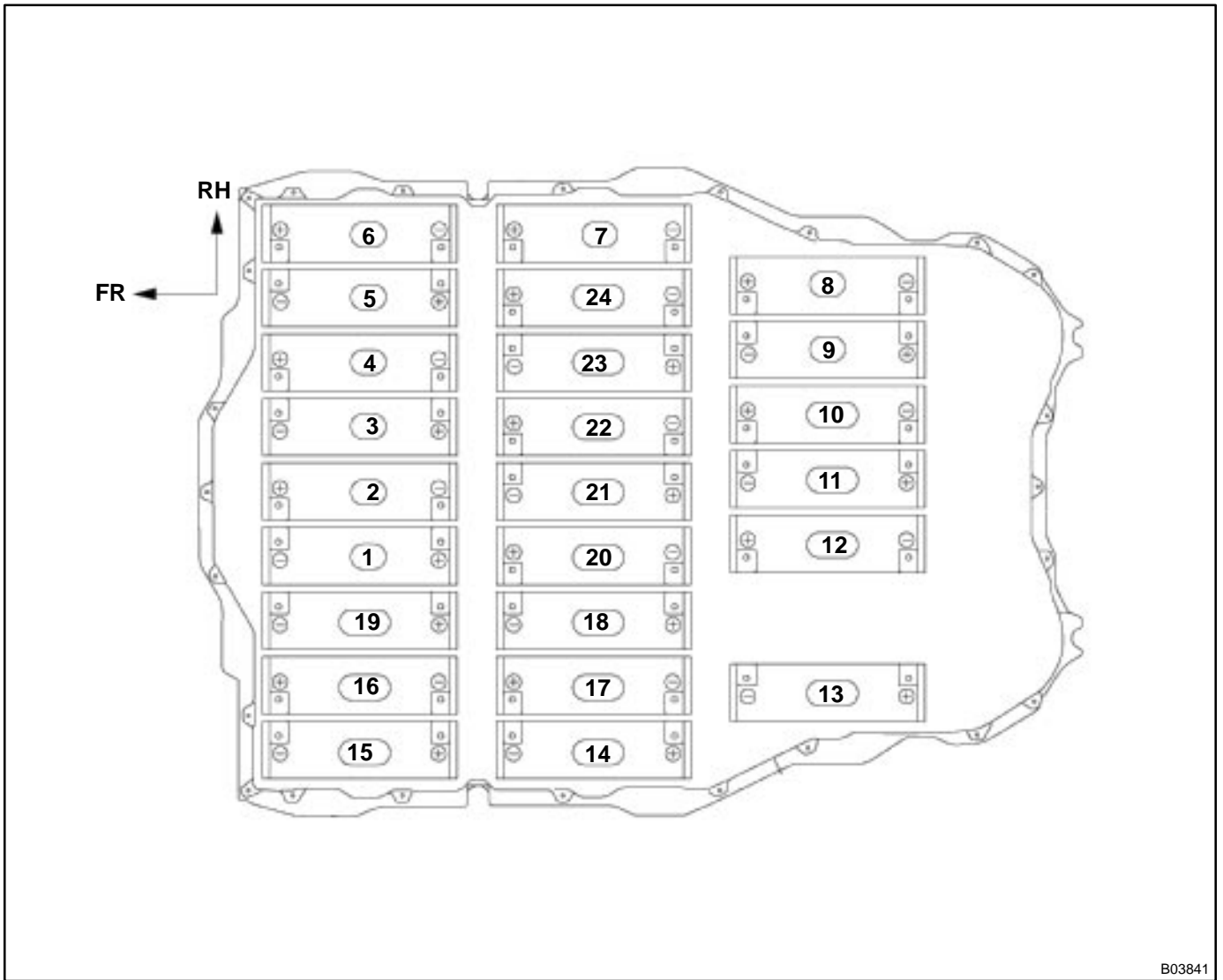
- (d) Remove the 19 bolts, 3 retainers and battery cover.

**Torque: 3.9 N·m (40 kgf·cm, 35 in.-lbf)**

### HINT:

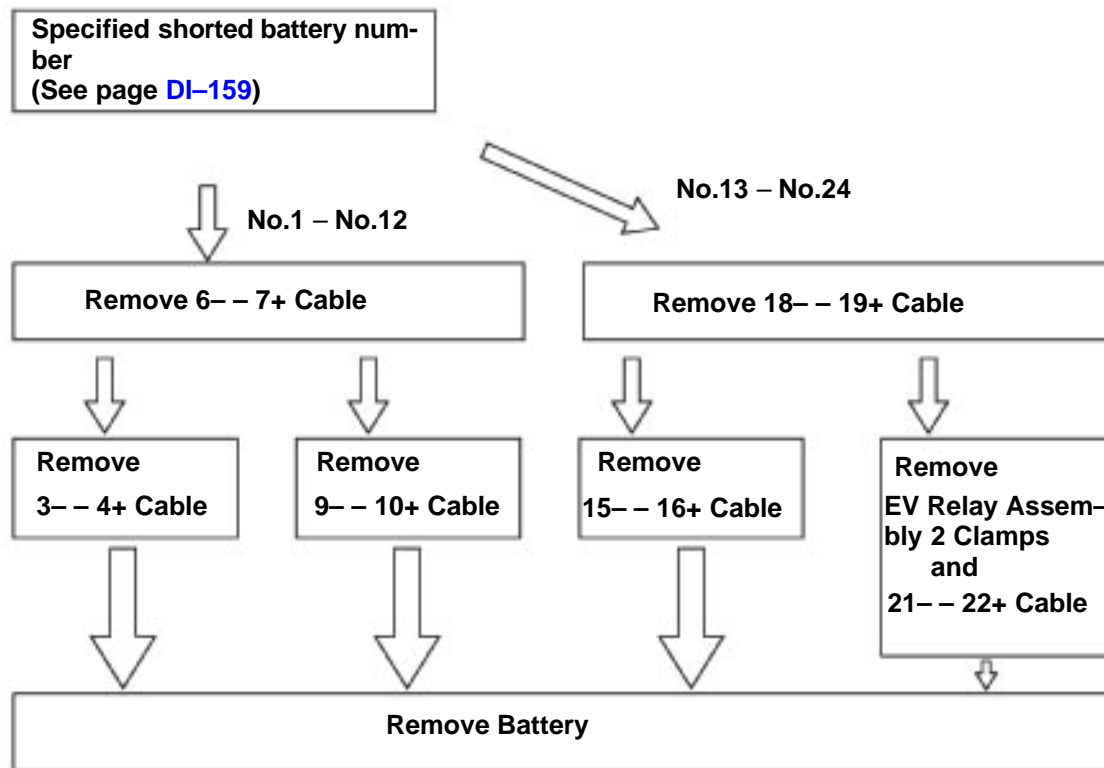
Remove the interlock switch wire harness grommet from the inside of the cover.

8. CHECK BATTERY NUMBER



B03841

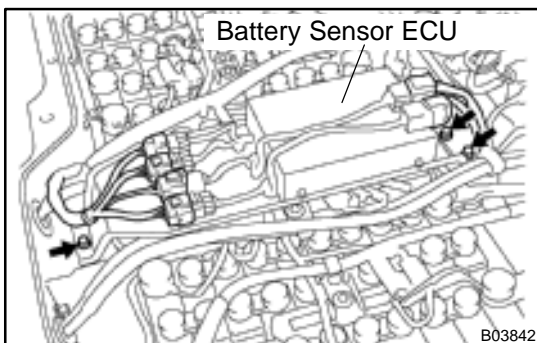
**BATTERY REMOVAL FLOW CHART**



B03843

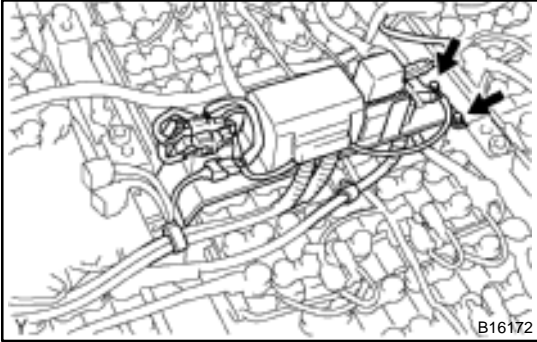
**HINT:**

Removing the above 6 bolts first, will maintain a group of 3 batteries connected in series.



**9. REMOVE BATTERY SENSOR ECU**

- (a) Disconnect the 6 connectors.
- (b) Remove the 3 bolts and battery sensor ECU.  
**Torque: 5.0 N·m (51 kgf·cm, 44 in.-lbf)**

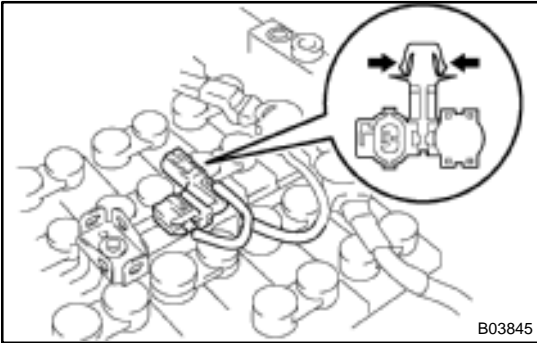


**10. REMOVE EV RELAY ASSEMBLY**

- (a) Remove the relay covers.
- (b) Disconnect the connectors.
- (c) Remove the 4 nuts and battery cable.  
**Torque: 12.5 N·m (128 kgf·cm, 9 ft·lbf)**
- (d) Remove the 2 bolts and EV relay assembly.  
**Torque: 5.0 N·m (51 kgf·cm, 44 in·lbf)**

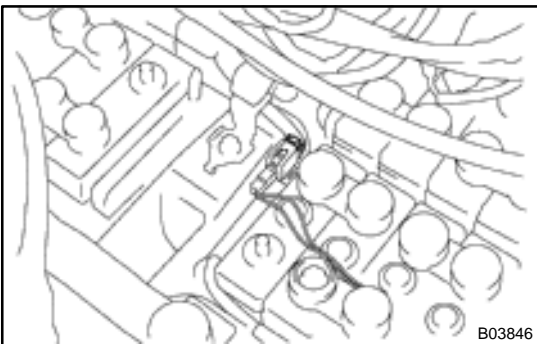
**11. REMOVE CABLES**

Remove the 2 nuts and labeled cables in numerical order.  
**Torque: 15 N·m (153 kgf·cm, 11 ft·lbf)**



**12. REMOVE WIRE HARNESS**

- (a) Remove the wire harness from the wire harness clamps.
- (b) Remove the battery wire harness bracket from the battery bracket.
- (c) Remove the wire harness clamps from the battery clamps.



- (d) Remove the battery temperature sensor connector.
- (e) Remove the battery temperature sensor connector from the bracket.
- (f) Remove the push nut and battery temperature sensor.

**13. REMOVE BATTERY CLAMPS**

**Torque: 3.9 N·m (40 kgf·cm, 35 in·lbf)**

**14. REMOVE BATTERIES**

Remove the batteries from the battery tray.

**15. REMOVE BATTERY TEMPERATURE SENSOR**

- (a) Remove the tray of the temperature sensor.
- (b) Remove the battery temperature sensor.
  - (1) Battery temperature sensor connectors
  - (2) Tray temperature sensor connector