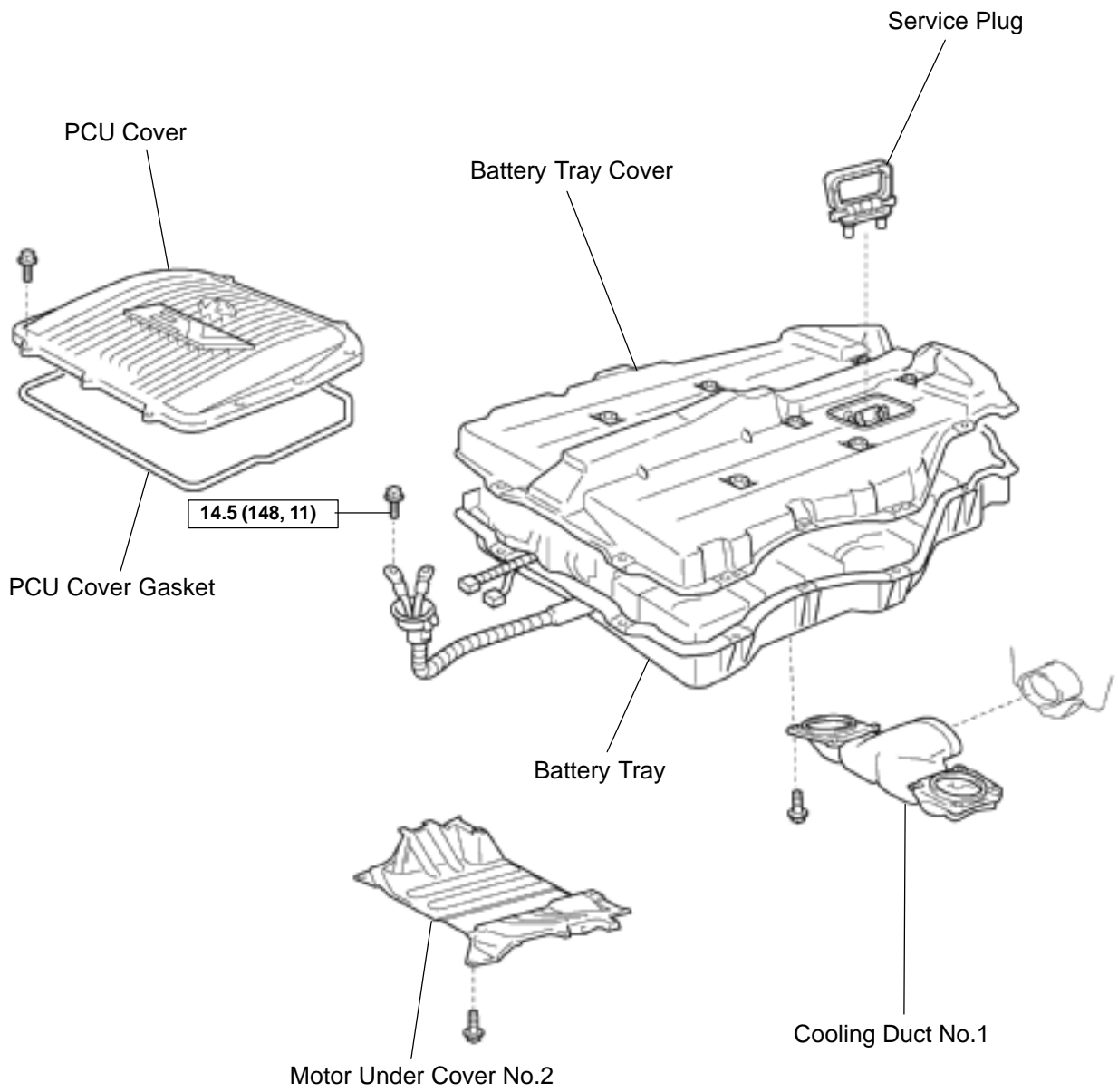
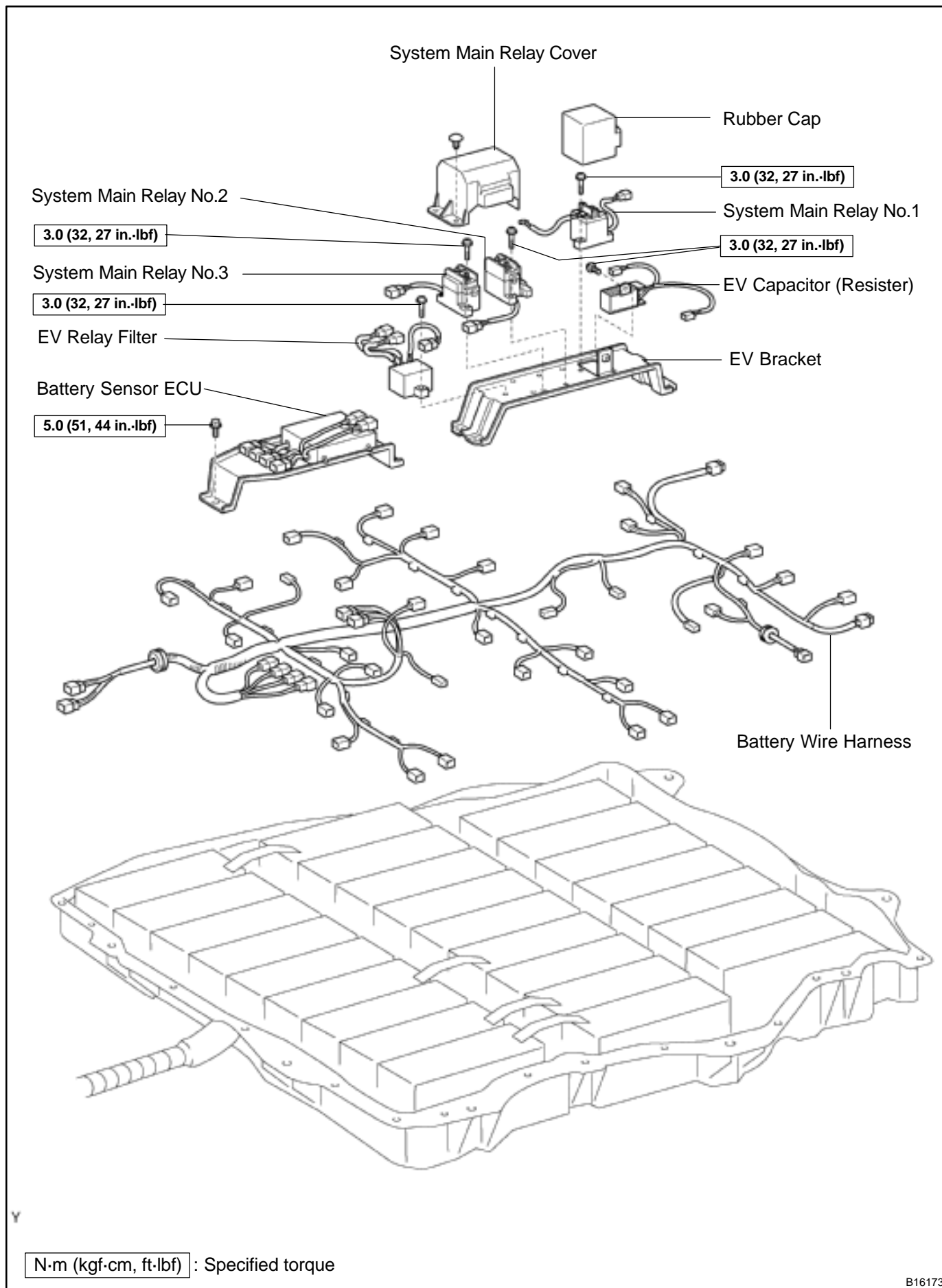


# COMPONENTS



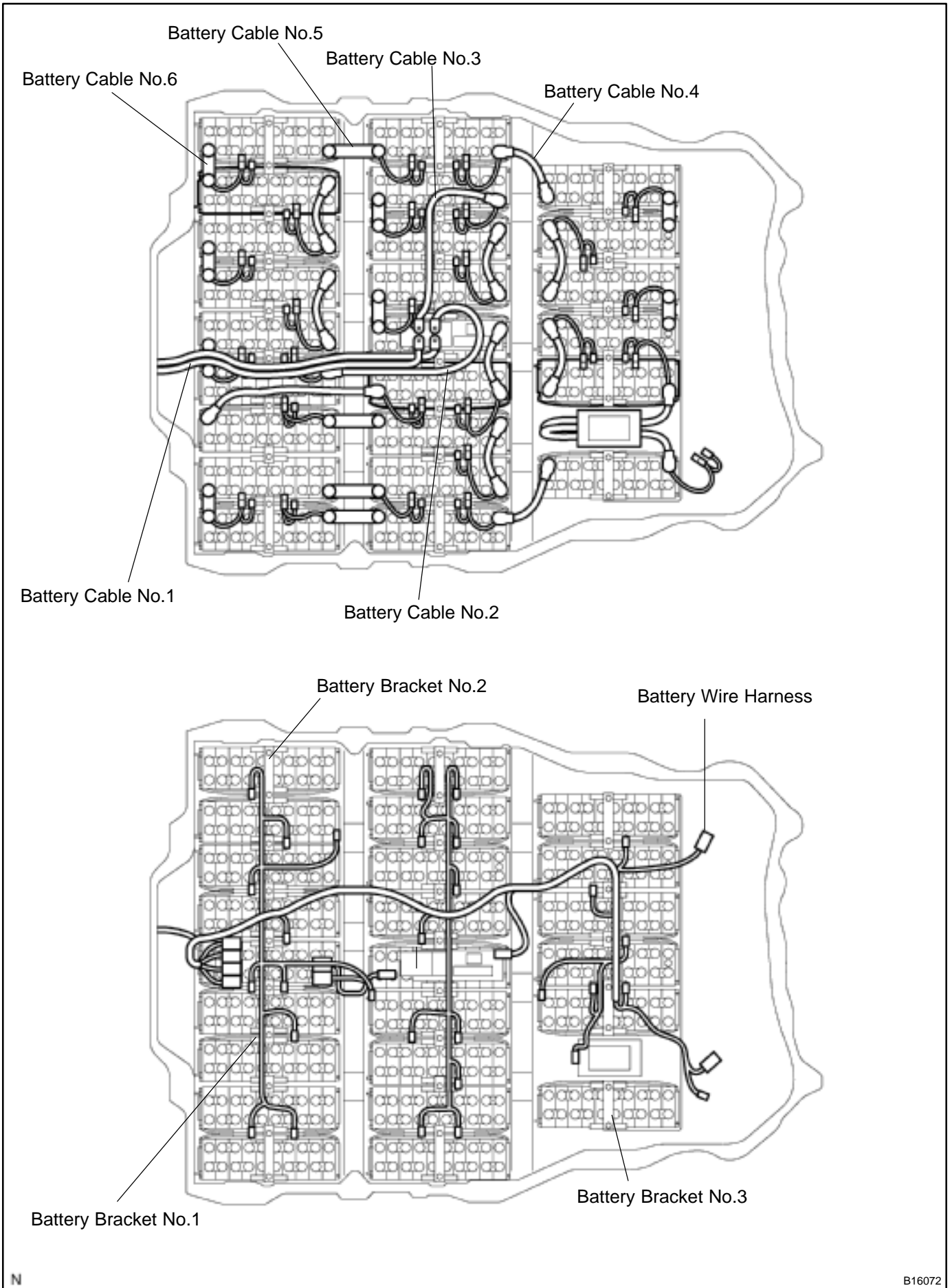
N·m (kgf·cm, ft·lbf) : Specified torque

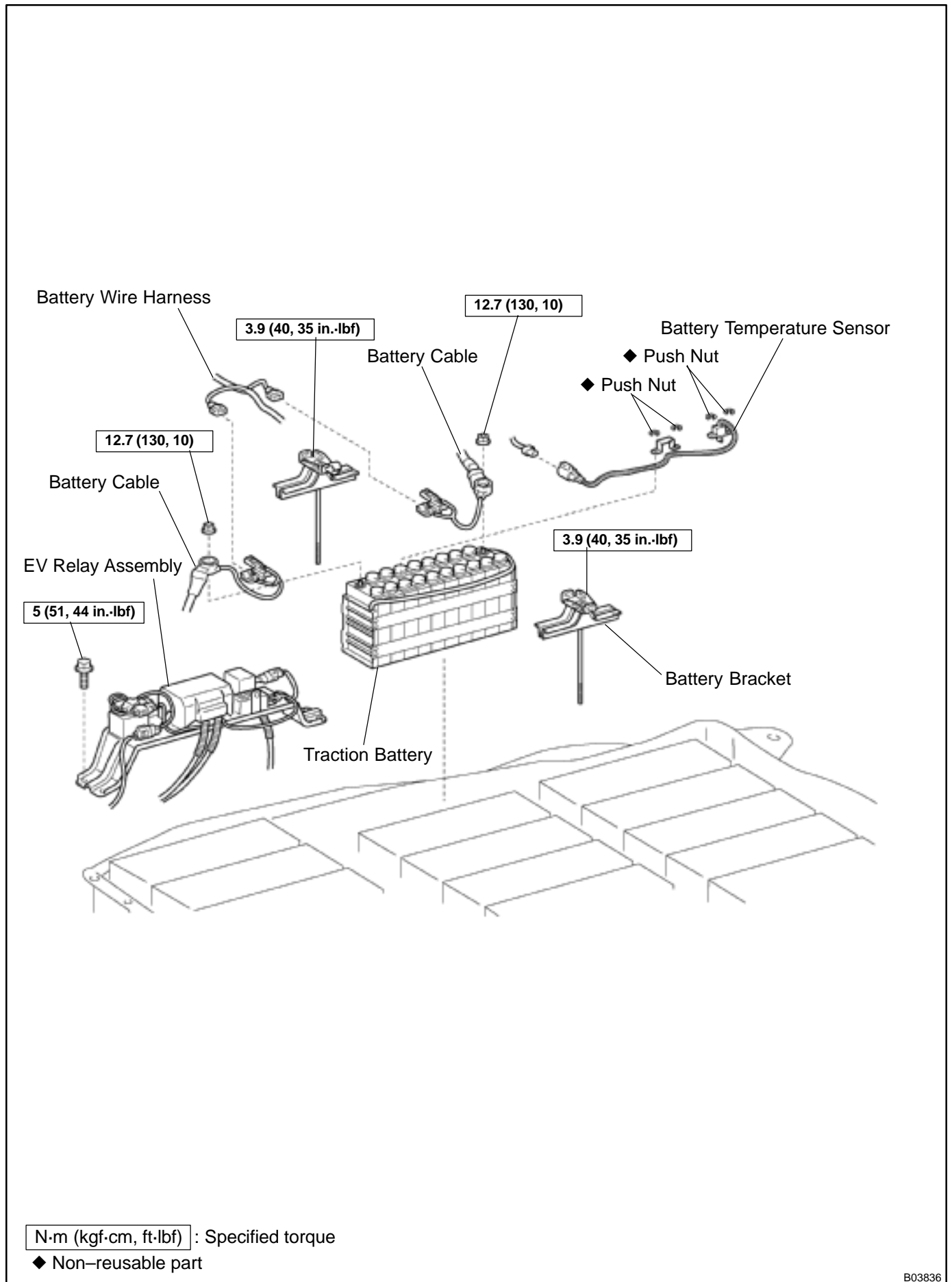
B03833



B16173

BATTERY CONTROL - TRACTION BATTERY





B03836